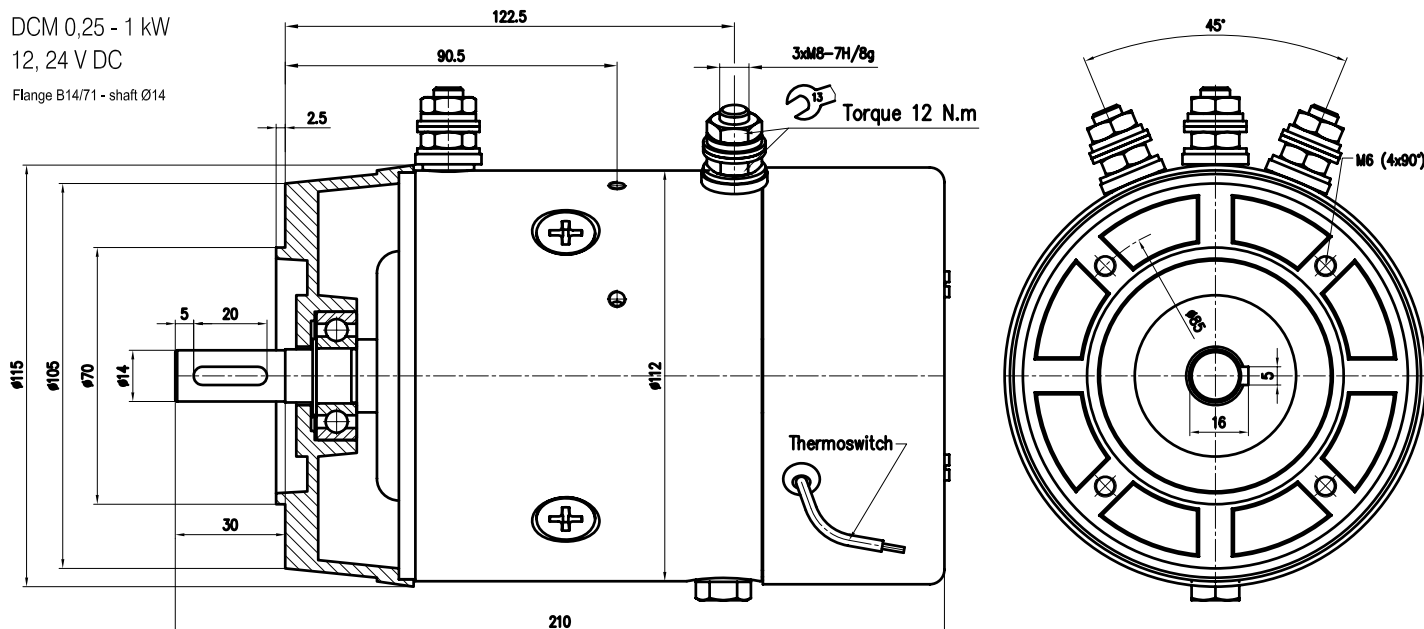


DCM 0,25 - 1 kW

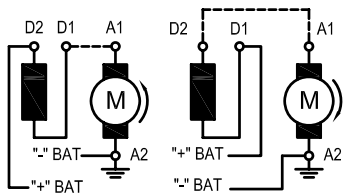
12, 24 V DC

Flange B14/71 - shaft Ø14



Connection Diagram

Rotation viewed from drive end



TYPE

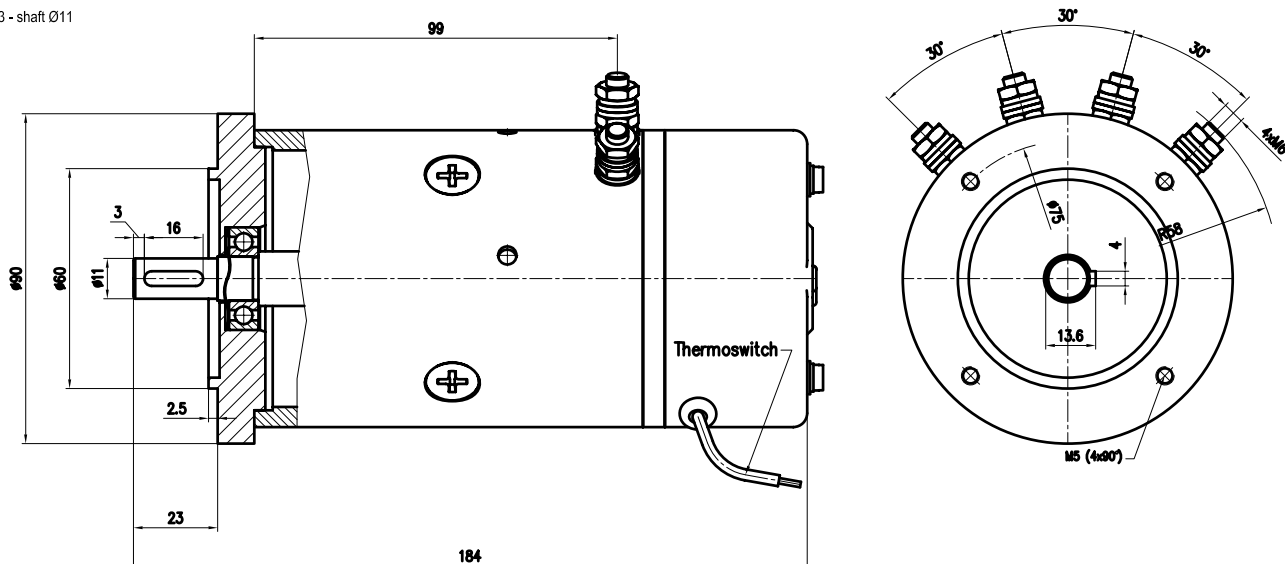
DCM 0,25/1,2/23

Rated Power	0.25 kW
Rated Voltage	12 V
Rated Current	38 A
Rated Speed	2300 r.p.m.
Operation Mode	S2 - 35 min.
Excitation	Series
Protection	IP 44
Insulation	F
Rotation	rev.
Weight	7 kg

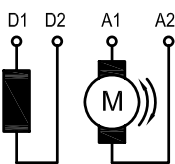
DCM 0,09 - 0,37 kW

12, 24 V DC

Flange B14/63 - shaft Ø11



Connection Diagram



Rotation viewed from drive end

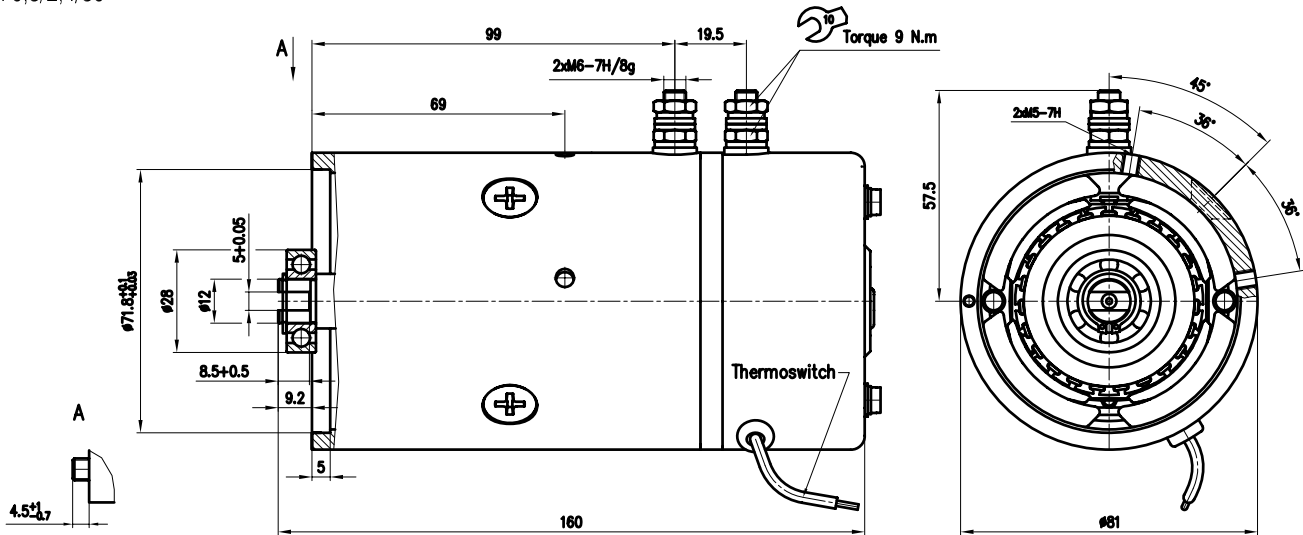
CCW : Connect A2 to D1; "+" to D2 and "-" to A1  
CW : Connect A2 to D2; "+" to D1 and "-" to A1

TYPES

DCM 0,2/1,2/15

Rated Power	0.2 kW
Rated Voltage	12 V
Rated Current	35 A
Rated Speed	1500 r.p.m.
Operation Mode	S2 - 10 min.
Excitation	Series
Protection	IP 44
Insulation	F
Rotation	rev.
Weight	3.2 kg

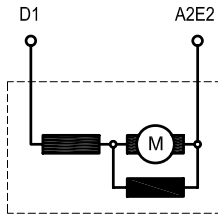
DCM 0,8/1,2/30  
DCM 0,8/2,4/30



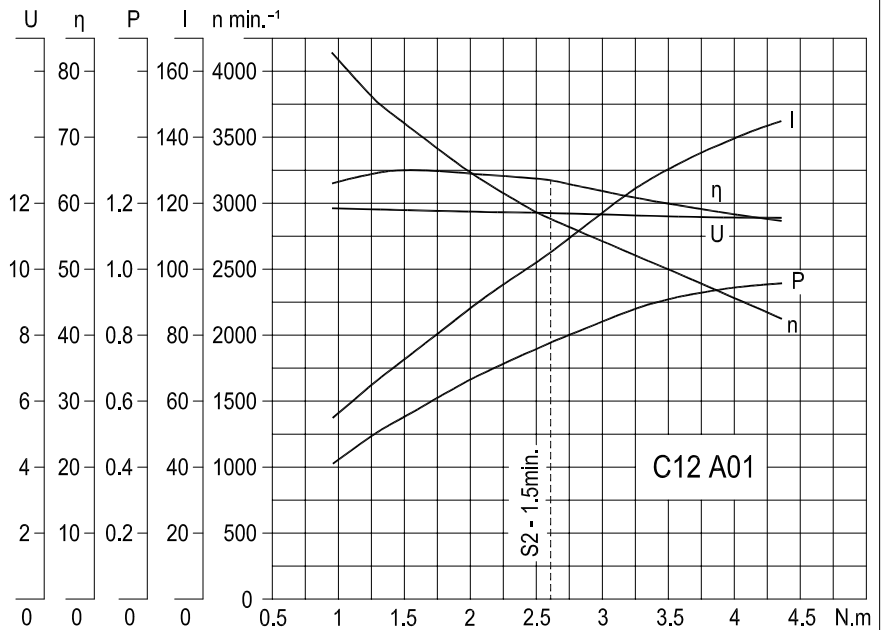
DCM 0,8/1,2/30

Rated Power 0.8 kW  
Rated Voltage 12 V  
Rated Current 110 A  
Rated Speed 3000 min.<sup>-1</sup>  
Operation Mode S2 - 1.5 min.  
Excitation Compound  
Protection IP 44  
Insulation F  
Weight 3.1 kg  
Char. Curve C12 A01  
Rotation C.W.D.E

Connection Diagram



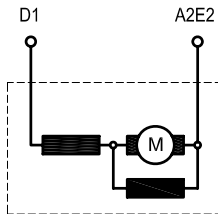
Design versions are adapted to standard assembly dimensions of hydraulic pumps and made according to special requirements of the customers



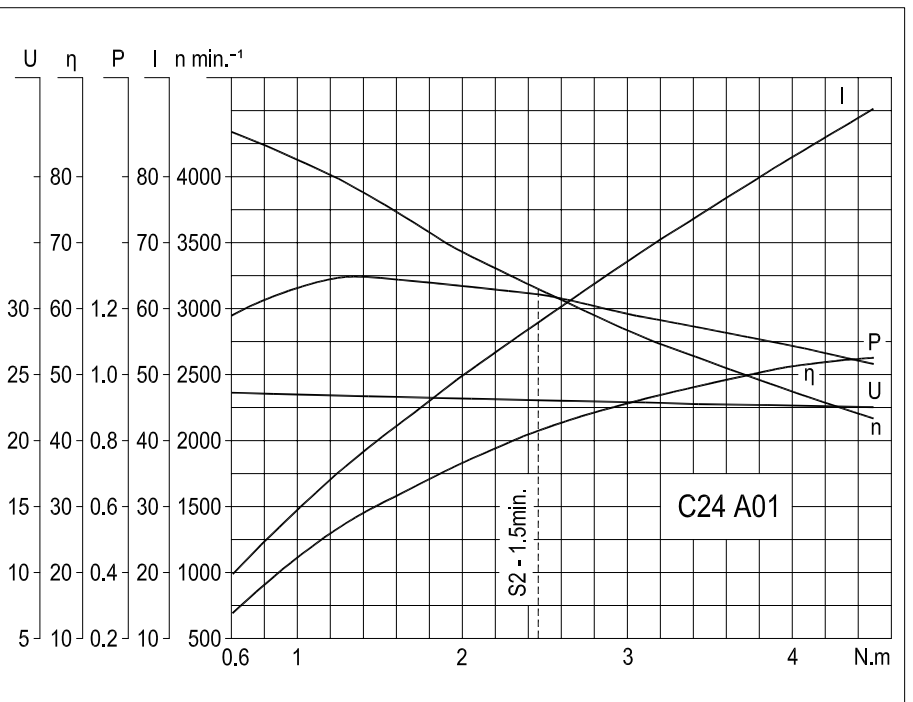
DCM 0,8/2,4/30

Rated Power 0.8 kW  
Rated Voltage 24 V  
Rated Current 58 A  
Rated Speed 3000 min.<sup>-1</sup>  
Operation Mode S2 - 1.5 min.  
Excitation Compound  
Protection IP 44  
Insulation F  
Weight 3.1 kg  
Char. Curve C24 B01  
Rotation C.W.D.E

Connection Diagram



Design versions are adapted to standard assembly dimensions of hydraulic pumps and made according to special requirements of the customers

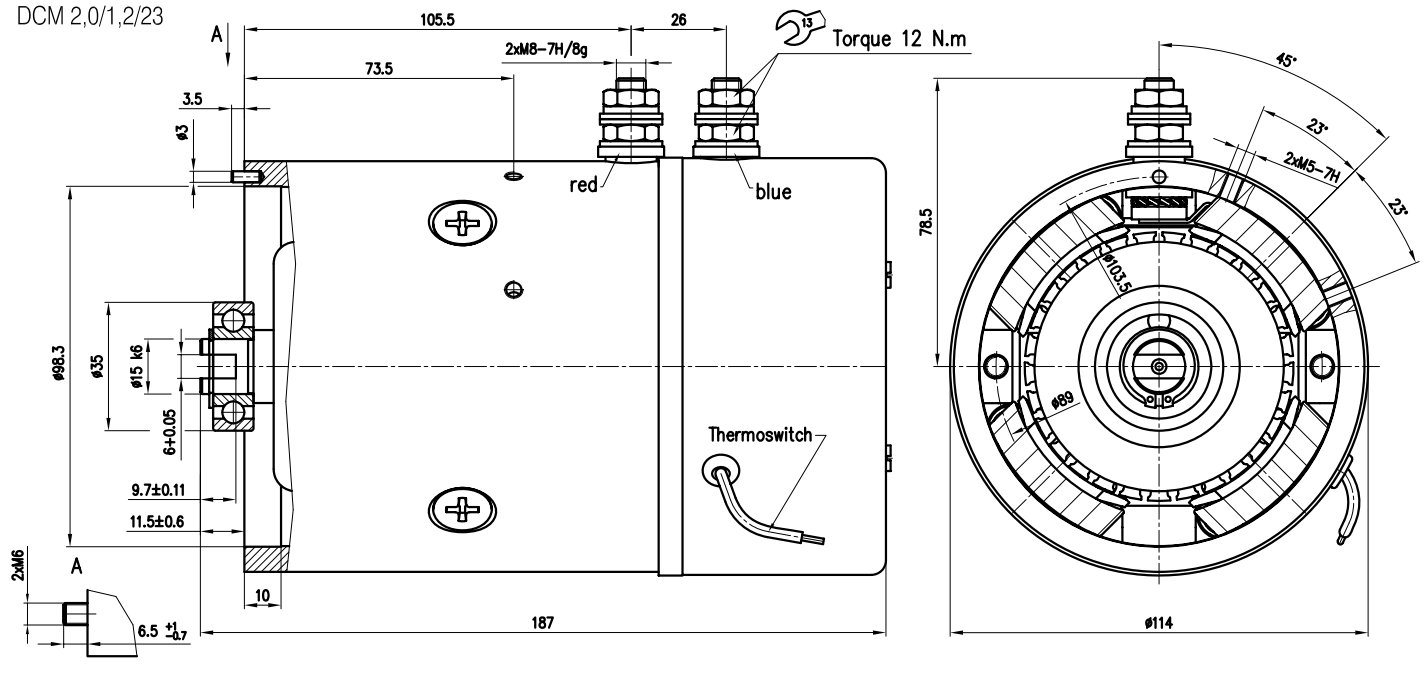


CAPRONI HOLDING JSC

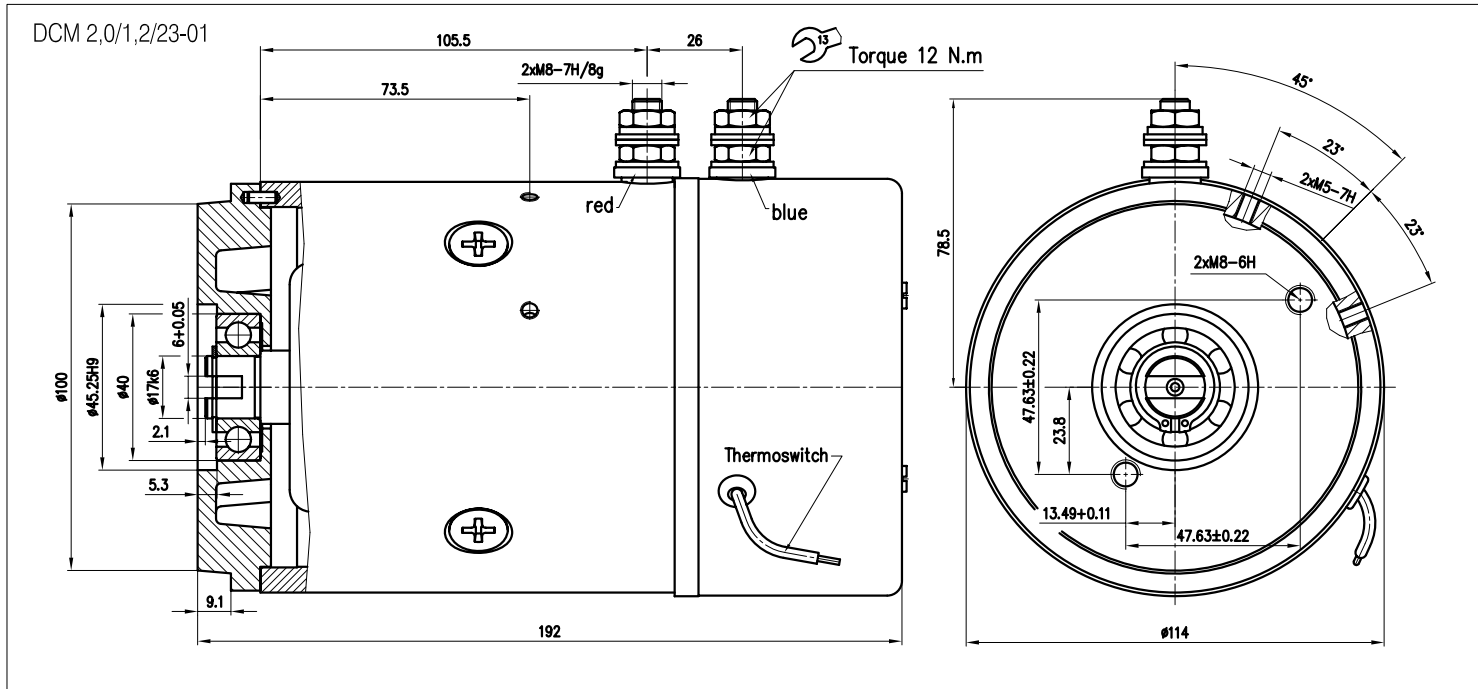
6100 Kazanlak, BULGARIA  
1, Vozheli Str.  
Tel: +359 /431/62 229  
Fax: +359 /431/ 62 230  
E-mail: cip\_ltd@mbox.digsys.bg  
WEB: http://www.caproni.bg



DCM 2,0/1,2/23



DCM 2,0/1,2/23-01

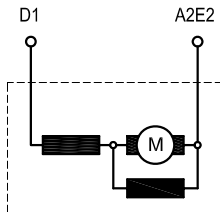


DCM 2,0/1,2/23

DCM 2,0/1,2/23-01

- Rated Power 2 kW
- Rated Voltage 12 V
- Rated Current 270 A
- Rated Speed 2300 min.<sup>-1</sup>
- Operation Mode S2 - 1.5 min.
- Excitation Compound
- Protection IP 44
- Insulation F
- Weight 6.8 kg / 7.1 kg
- Char. Curve C12 B01
- Rotation C.W.D.E

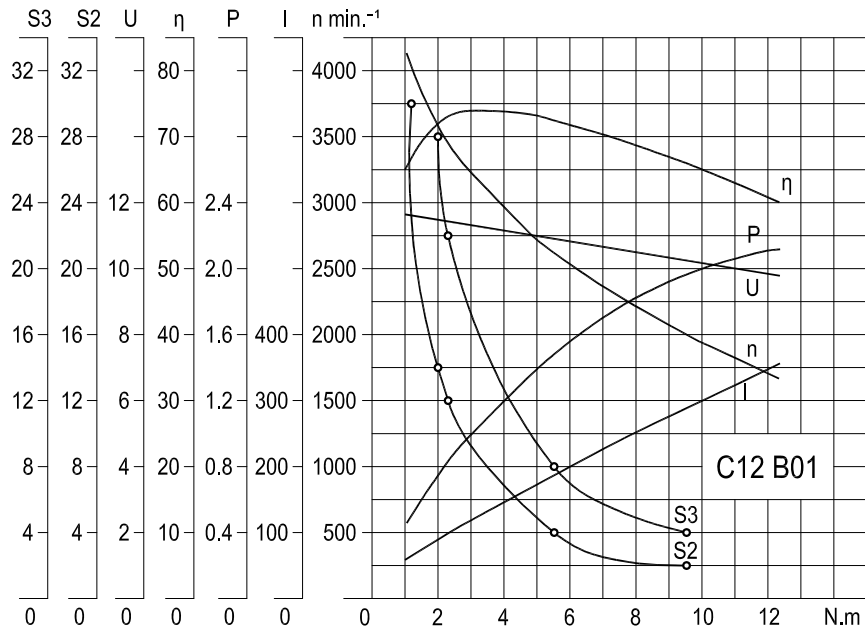
Connection Diagram



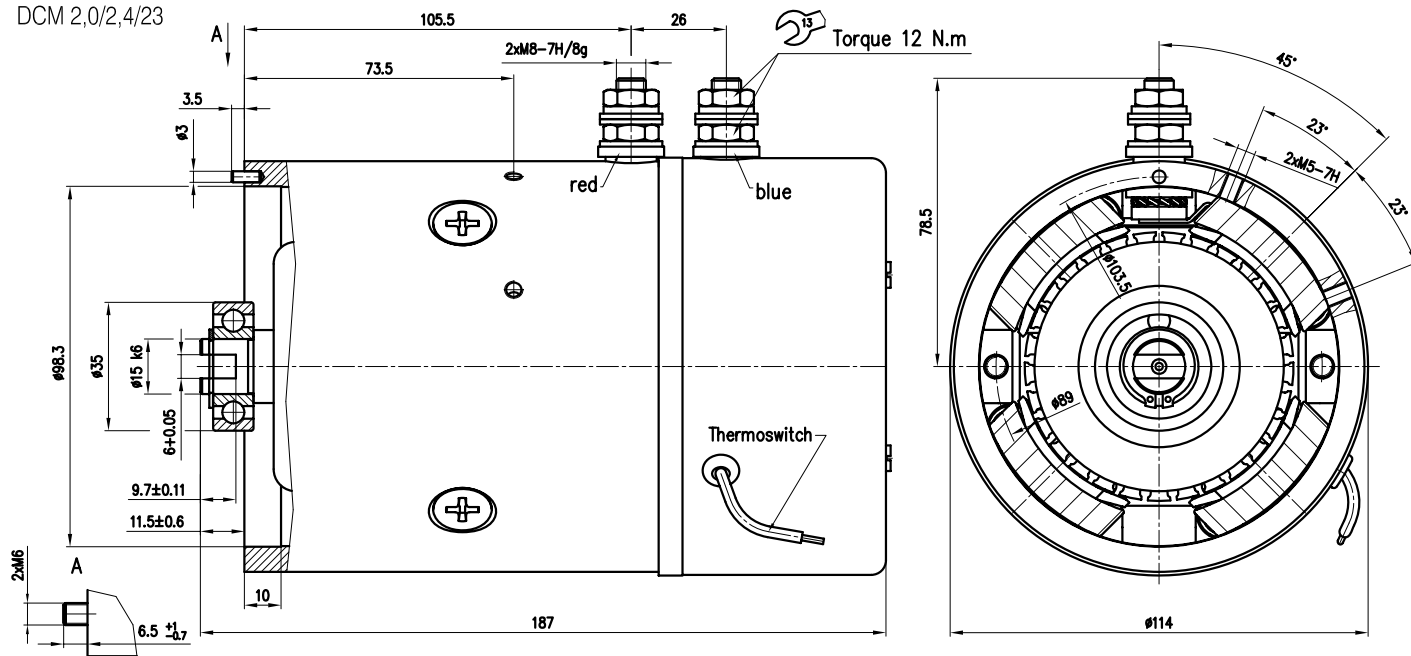
Design versions are adapted to standard assembly dimensions of hydraulic pumps and made according to special requirements of the customers

CAPRONI HOLDING JSC

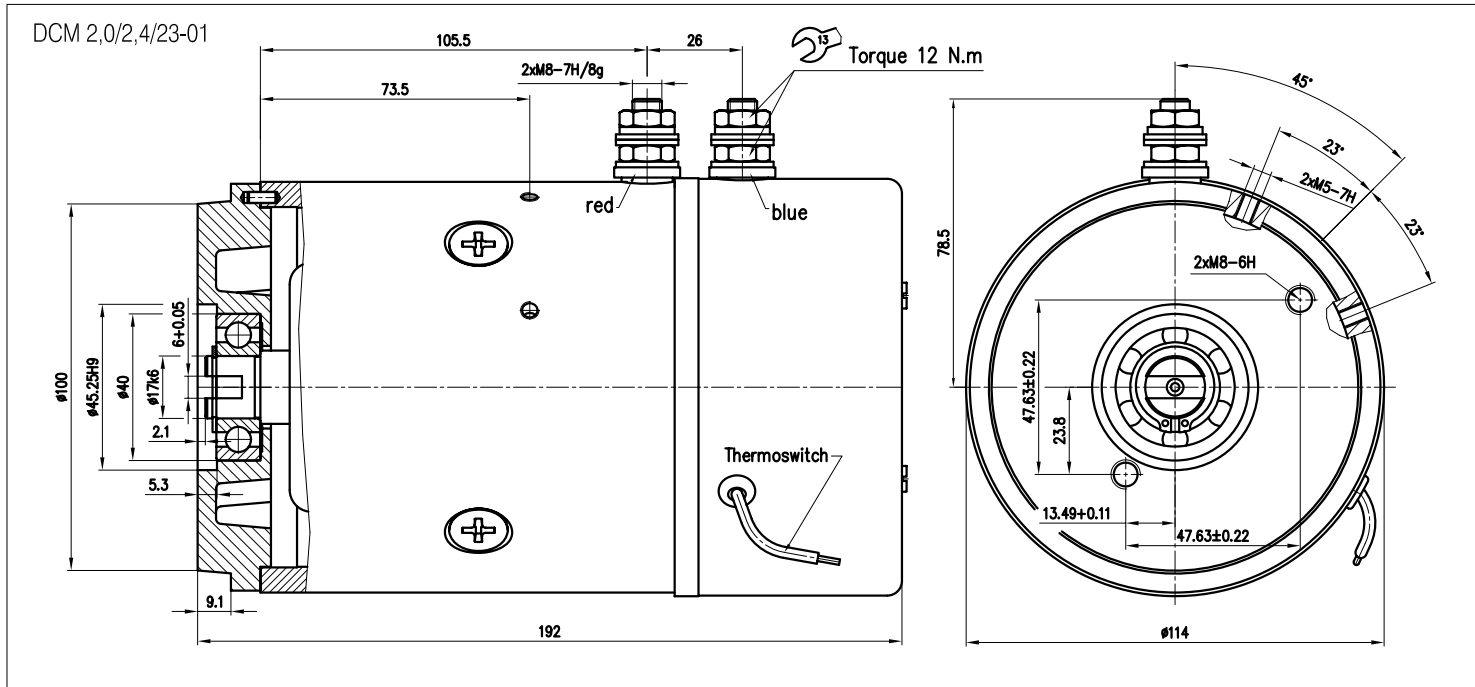
6100 Kazanlak, BULGARIA  
1, Vozheli Str.  
Tel: +359 /431/62 229  
Fax: +359 /431/ 62 230  
E-mail: cip\_ltd@mbox.digsys.bg  
WEB: http://www.caproni.bg



DCM 2,0/2,4/23



DCM 2,0/2,4/23-01

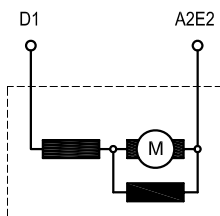


DCM 2,0/2,4/23

DCM 2,0/2,4/23-01

- Rated Power 2 kW
- Rated Voltage 24 V
- Rated Current 121 A
- Rated Speed 2300 min.<sup>-1</sup>
- Operation Mode S2 - 2 min.
- Excitation Compound
- Protection IP 44
- Insulation F
- Weight 6.8 kg / 7.1 kg
- Char. Curve C24 B01
- Rotation C.W.D.E

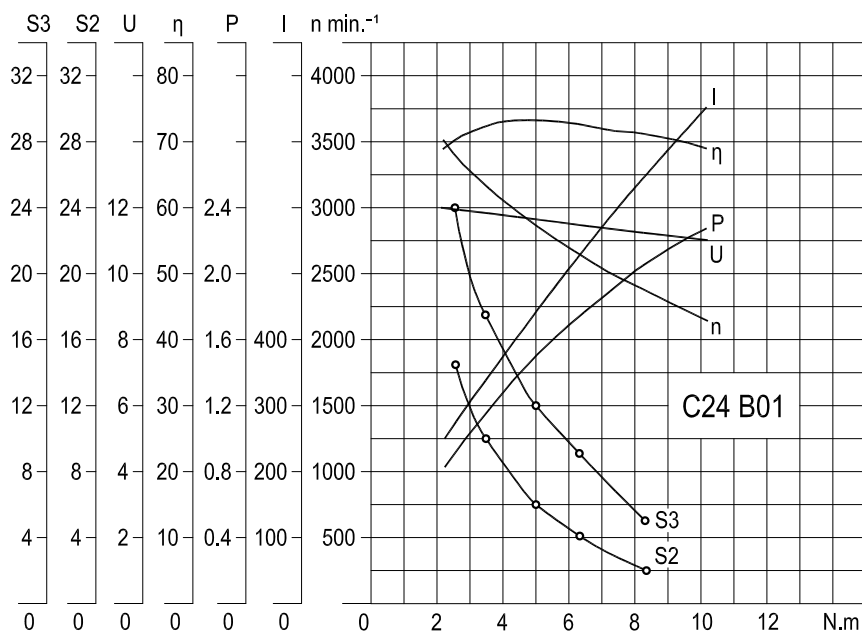
Connection Diagram



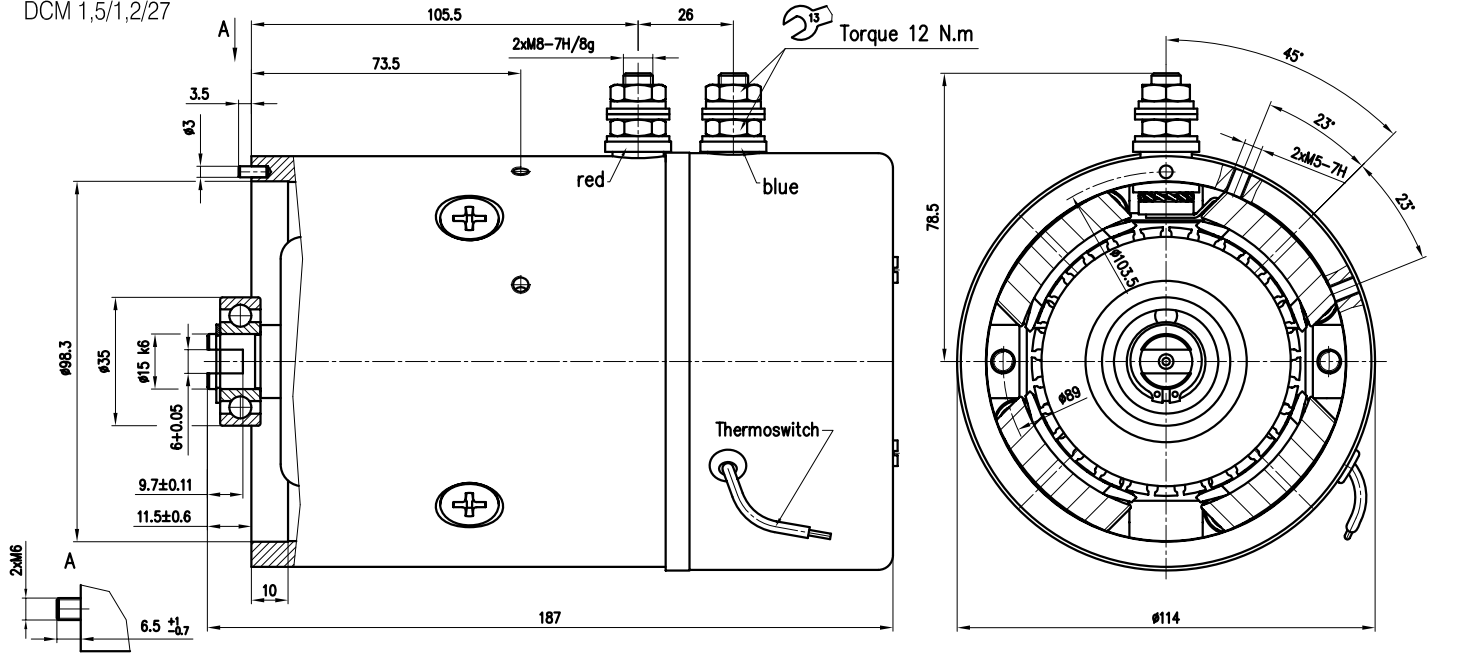
Design versions are adapted to standard assembly dimensions of hydraulic pumps and made according to special requirements of the customers

CAPRONI HOLDING JSC

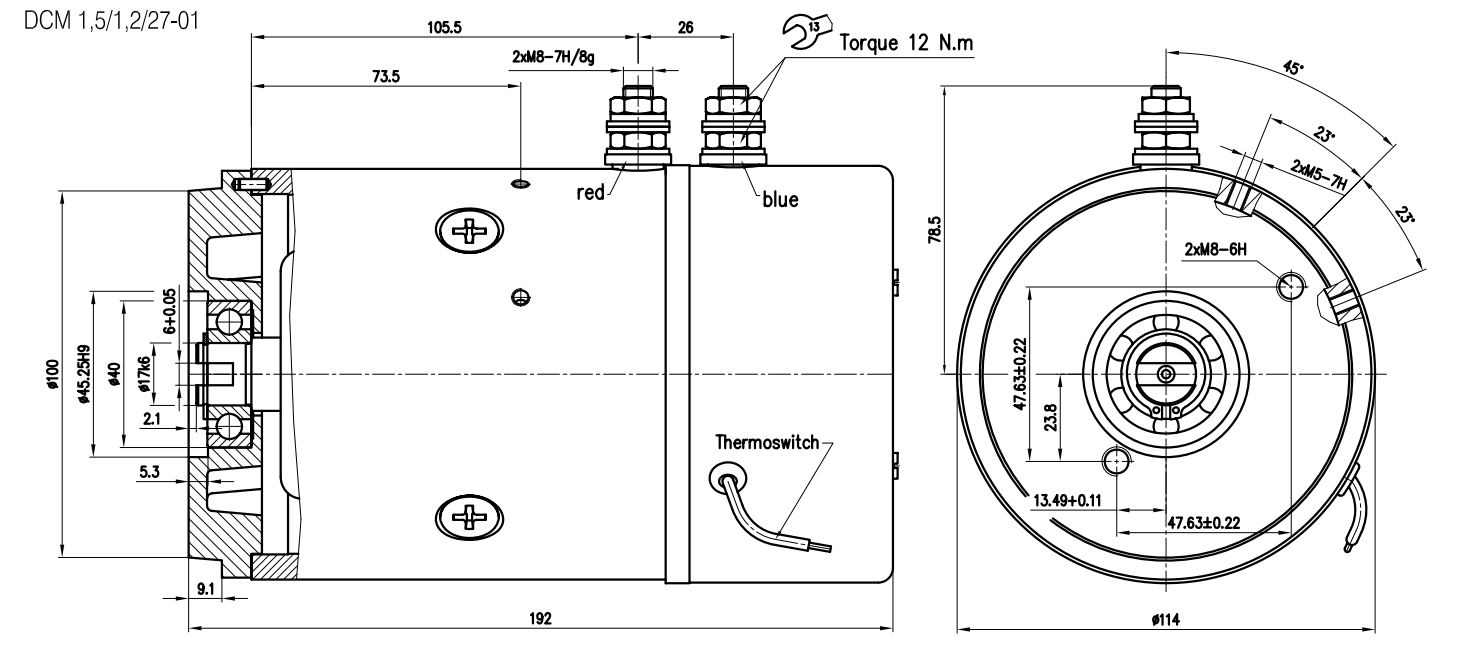
6100 Kazanlak, BULGARIA  
1, Vozheli Str.  
Tel: +359 /431/62 229  
Fax: +359 /431/ 62 230  
E-mail: cip\_ltd@mbox.digsys.bg  
WEB: http://www.caproni.bg



DCM 1,5/1,2/27



DCM 1,5/1,2/27-01

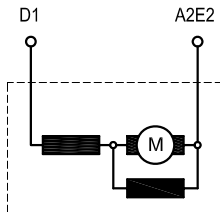


DCM 1,5/1,2/27

DCM 1,5/1,2/27-01

- Rated Power 1,5 kW
- Rated Voltage 12 V
- Rated Current 180 A
- Rated Speed 2700 min.<sup>-1</sup>
- Operation Mode S2 - 4 min.
- Excitation Compound
- Protection IP 44
- Insulation F
- Weight 6.8 kg / 7.1 kg
- Char. Curve C12 B01
- Rotation C.W.D.E

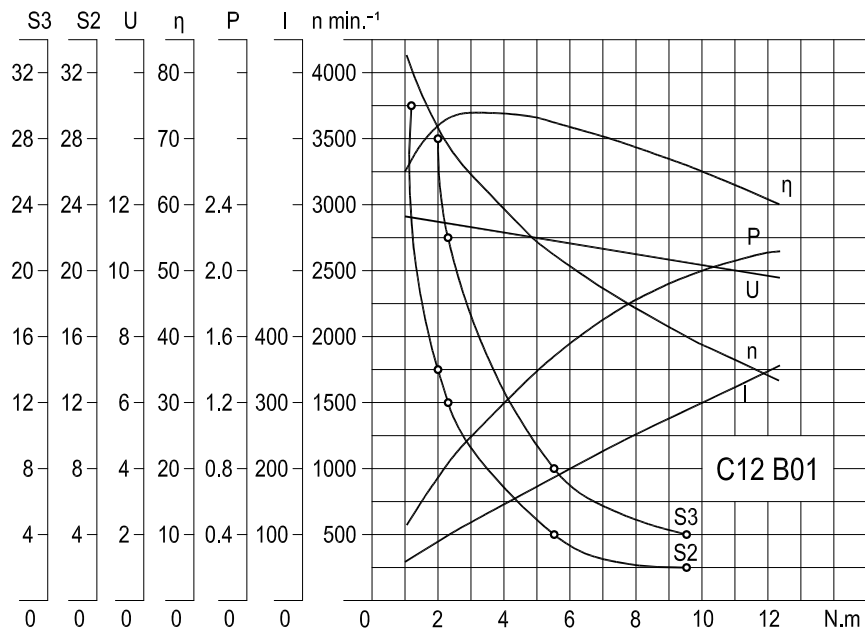
Connection Diagram



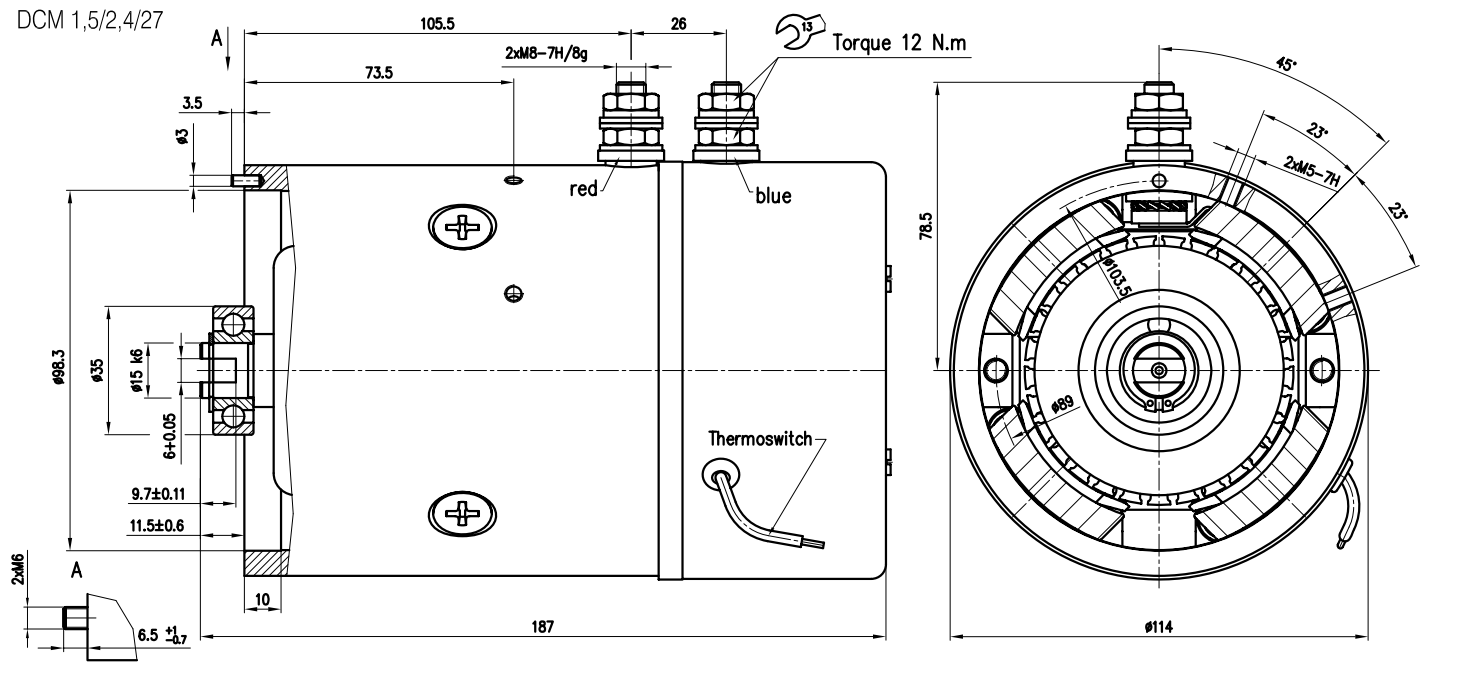
Design versions are adapted to standard assembly dimensions of hydraulic pumps and made according to special requirements of the customers

CAPRONI HOLDING JSC

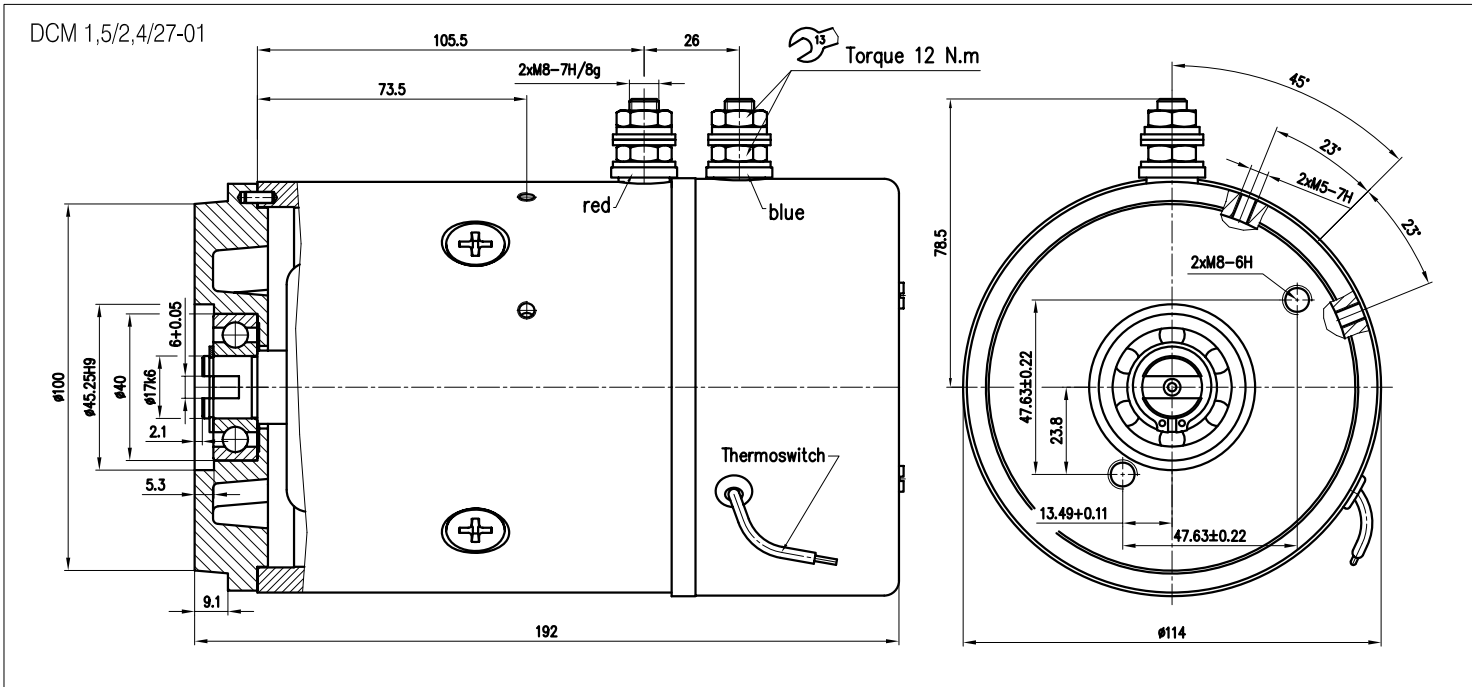
6100 Kazanlak, BULGARIA  
1, Vozhehli Str.  
Tel: +359 /431/62 229  
Fax: +359 /431/ 62 230  
E-mail: cip\_ltd@mbox.digsys.bg  
WEB: http://www.caproni.bg



DCM 1,5/2,4/27



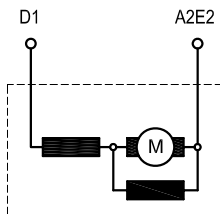
DCM 1,5/2,4/27-01



DCM 1,5/2,4/27  
DCM 1,5/2,4/27-01

- Rated Power 1.5 kW
- Rated Voltage 24 V
- Rated Current 90 A
- Rated Speed 2700 min.<sup>-1</sup>
- Operation Mode S2 - 5 min.
- Excitation Compound
- Protection IP 44
- Insulation F
- Weight 6.8 kg / 7.1 kg
- Char. Curve C24 B01
- Rotation C.W.D.E

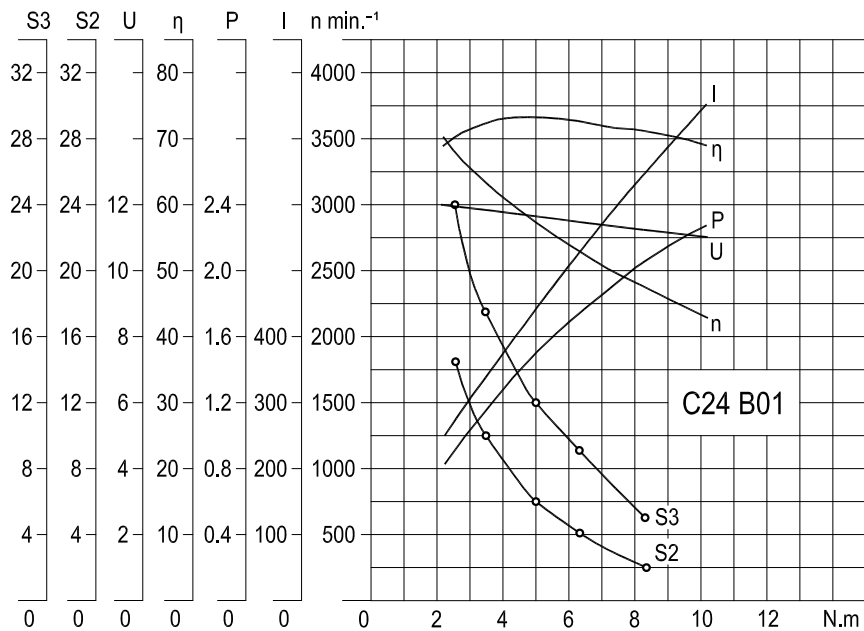
Connection Diagram



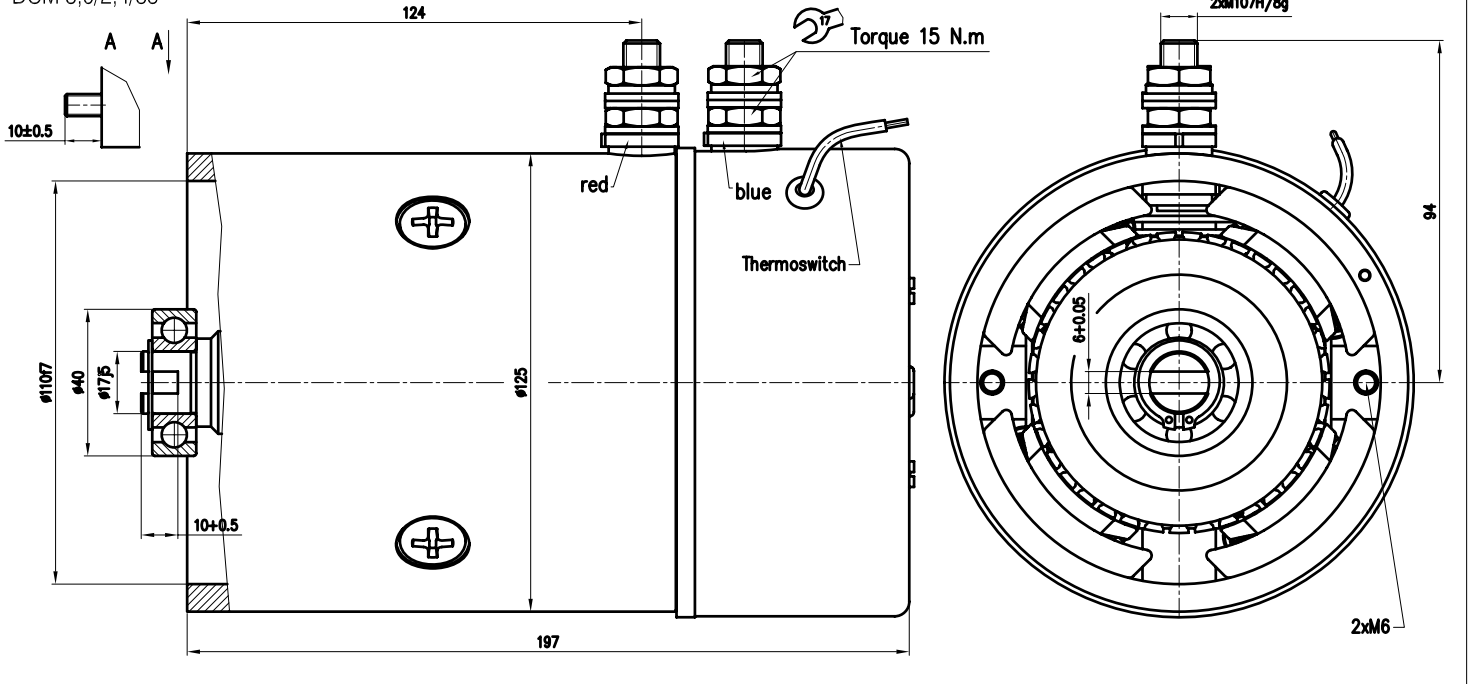
Design versions are adapted to standard assembly dimensions of hydraulic pumps and made according to special requirements of the customers

CAPRONI HOLDING JSC

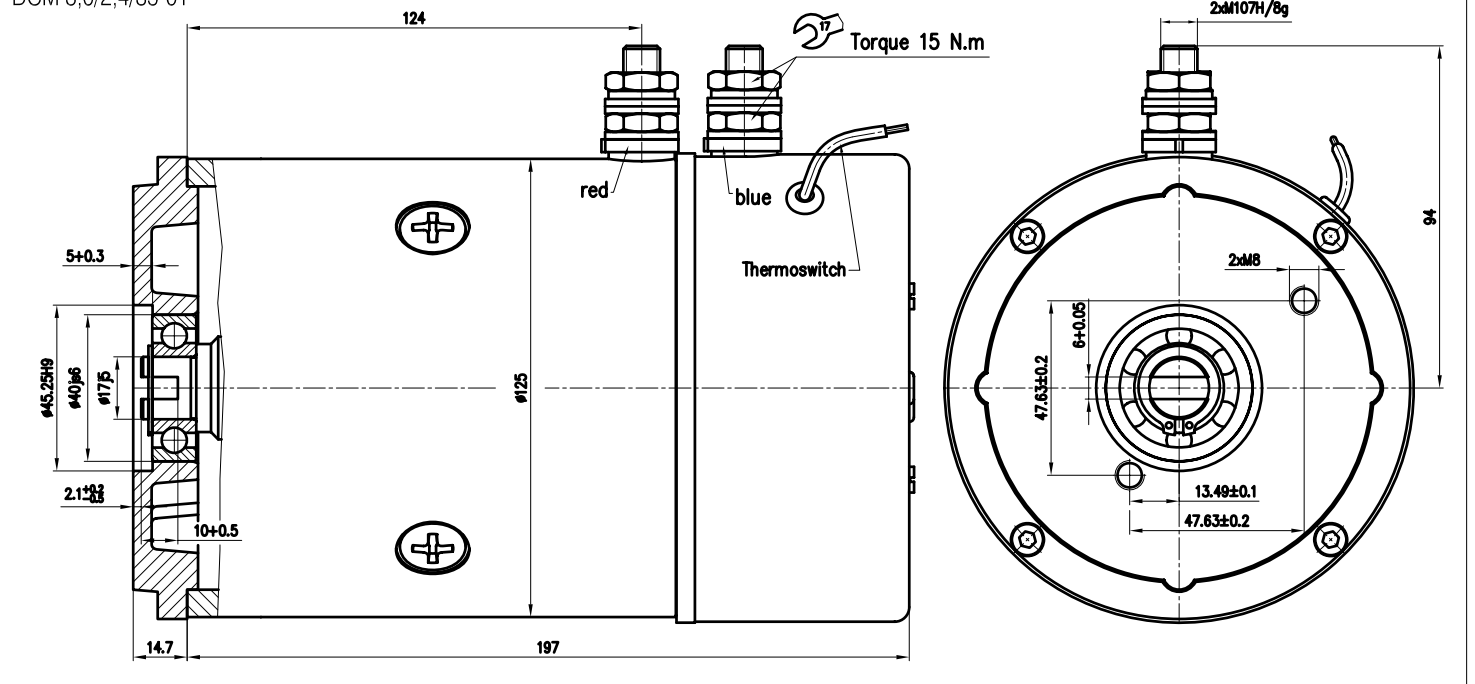
6100 Kazanlak, BULGARIA  
1, Vozheli Str.  
Tel: +359 /431/62 229  
Fax: +359 /431/ 62 230  
E-mail: cip\_ltd@mbox.digsys.bg  
WEB: http://www.caproni.bg



DCM 3,0/2,4/35



DCM 3,0/2,4/35-01

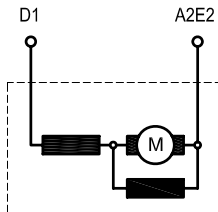


DCM 3,0/2,4/35

DCM 3,0/2,4/35-01

Rated Power	3 kW
Rated Voltage	24 V
Rated Current	168 A
Rated Speed	3500 min. <sup>-1</sup>
Operation Mode	S2 - 4.5 min.
Excitation	Compound
Protection	IP 44
Insulation	F
Weight	9.5 kg
Char. Curve	C24 C01
Rotation	C.W.D.E

Connection Diagram

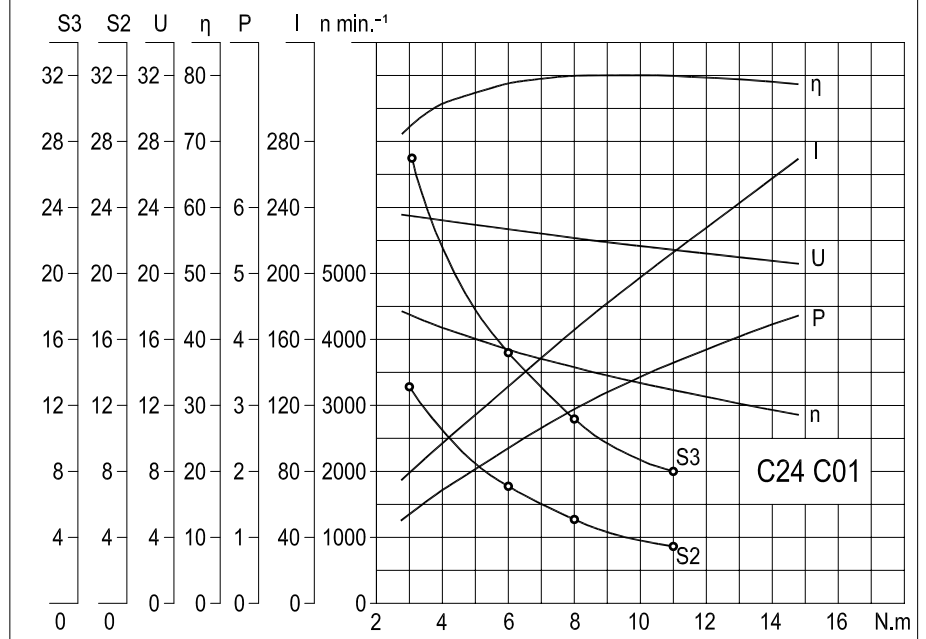


Design versions are adapted to standard assembly dimensions of hydraulic pumps and made according to special requirements of the customers

CAPRONI HOLDING JSC

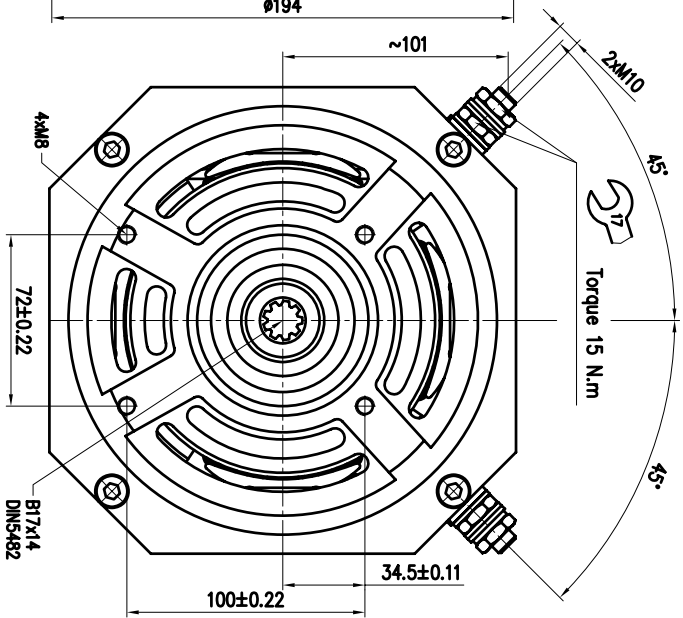
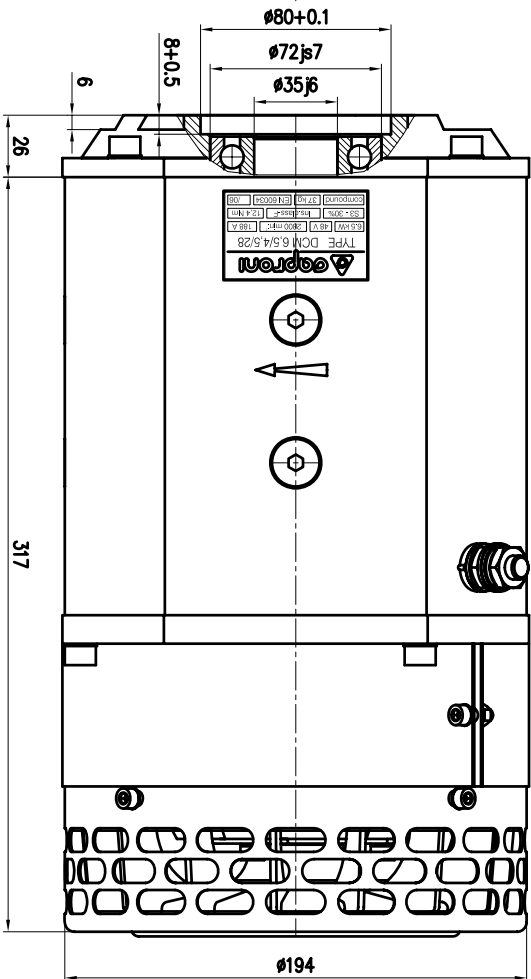
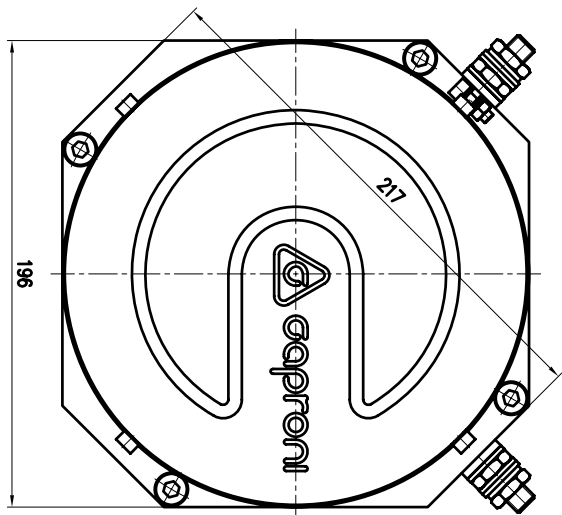


6100 Kazanlak, BULGARIA  
1, Vozheli Str.  
Tel: +359 /431/62 229  
Fax: +359 /431/ 62 230  
E-mail: cip\_ltd@mbox.digsys.bg  
WEB: <http://www.caproni.bg>

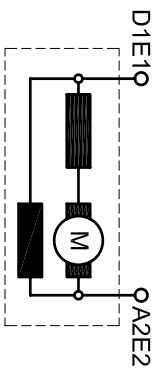




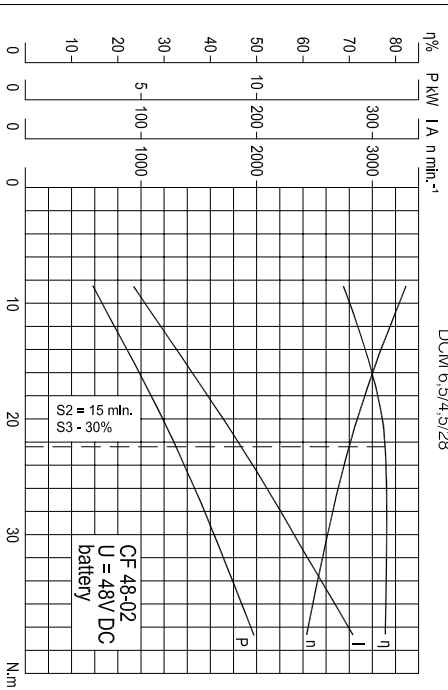
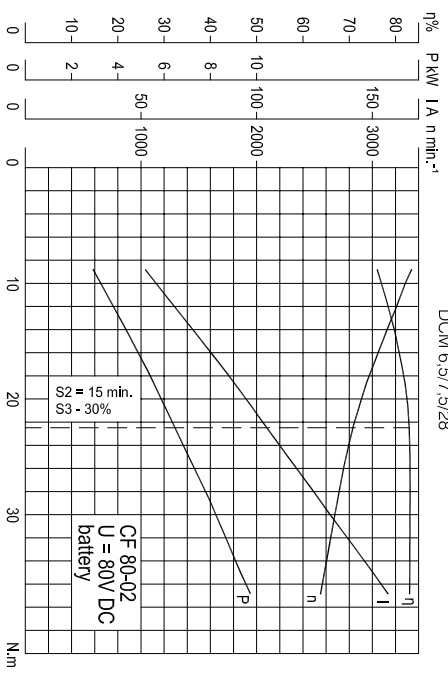
DCM 6,5/7,5/28  
DCM 6,5/4,5/28



### Connection Diagram



Design versions are adapted to standard assembly dimensions of hydraulic pumps and made according to special requirements of the customers



### TECHNICAL DATA

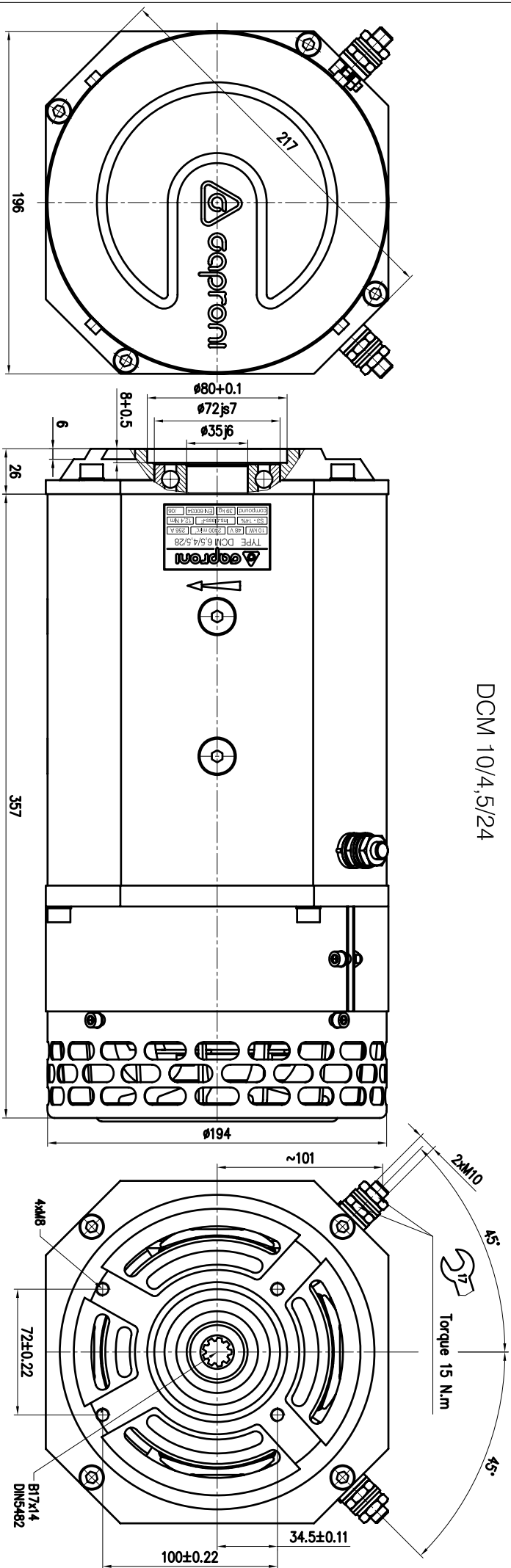
	DCM 6,5/7,5/28	DCM 6,5/4,5/28
Rated Power	6,5 kW	6,5 kW
Rated Voltage	80 V	48 V
Rated Current	105 A	188 A
Rated Speed	2800 min <sup>-1</sup>	2800 min <sup>-1</sup>
Operation Mode	S2 - 15 min. S3 - 30%	S2 - 15 min. S3 - 30%
Excitation	Compound	Compound
Protection	IP 21	IP 21
Insulation	F	F
Weight	37,2 kg	37,2 kg
Rotation	C.W.D.E	C.W.D.E

CAPRONI HOLDING JSC 6100 Kazanlak, BULGARIA



1, Vozneli Str.  
Tel: +359 /431/62 229  
Fax: +359 /431/ 62 230  
E - mail: cjp\_ltd@caproni.bg  
E - mail: caproni@caproni.bg  
WEB: http://www.caproni.bg

# DCM 10/4,5/24



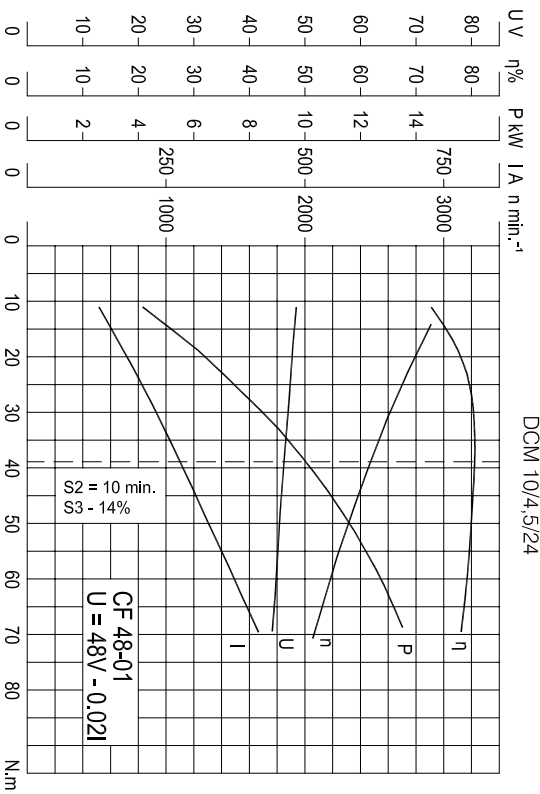
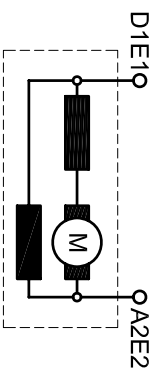
Design versions are adapted to standard assembly dimensions of hydraulic pumps and made according to special requirements of the customers

## TECHNICAL DATA

Rated Power	10 kW
Rated Voltage	48 V
Rated Current	256 A
Rated Speed	2400 min. <sup>-1</sup>
Operation Mode	S2 - 10 min. S3 - 14%

Excitation	Compound
Protection	IP 21
Insulation	F
Weight	39 kg
Rotation	C.W./D.E

## Connection Diagram



## CAPPRONI HOLDING JSC

6100 Kazanlak, BULGARIA  
1, Voznehl Str.  
Tel: +359 /431/62 229  
Fax: +359 /431/ 62 230  
E - mail: cjp\_tld@capproni.bg  
E - mail: capproni@capproni.bg  
WEB: http://www.capproni.bg

